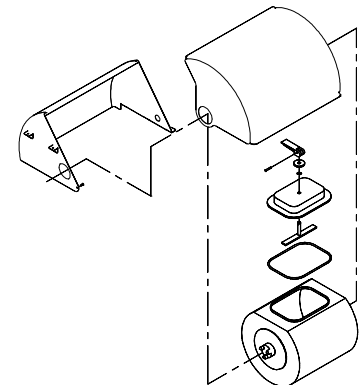


Marinator with Cover

Stainless steel cover provides an all new level of operator safety.

- FEATURES:**
- 10 minute cycle time supports higher production levels while still allowing workers to perform other tasks during the marination. This would not be possible with a shorter cycle time.
 - ✦ Durable stainless steel construction ensures sanitary marination.
 - ✦ Easy to clean.
 - ✦ All new solid state controls provide for many years of reliable service.
 - ✦ Two piece cover shields drum while rotating, and retracts for easy loading and cleaning.



ACCESSORIES:	<u>Part Number</u>	<u>Description</u>
	202418	10 Minute Lid (For QMM4 or FMA015)
	902338	Replacement "O" Ring (For 202418)
	900080	Max Box
	200912	Max Box Drain Tray
	202502	Plastic Marinator Drum

ELECTRICAL REQUIREMENTS:			
	FMA015081C	Marinator, Covered Standard	115V, 60 Hz, 1/4 HP, 4.6 Amps
	FMA015081CAG	Marinator, Covered Standard w/ Access.	115V, 60 Hz, 1/4 HP, 4.6 Amps

SHIPPING INFORMATION:	
	Cube Size: 22" W x 40"L x 42"H
	Crated Weight: 175 lbs.



ORDER FROM:

Quality Industries
130 Jones Boulevard
LaVergne, TN 37086

Call: (615) 793-3000 x 307
(800) 745-8613
Fax: (615) 793-3381