

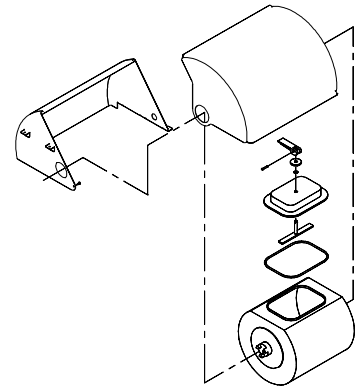


**Quality
Industries**

Marinator with Cover

Stainless steel cover provides an all new level of operator safety.

- FEATURES:**
- 10 minute cycle time supports higher production levels while still allowing workers to perform other tasks during the marination. This would not be possible with a shorter cycle time.
 - ✦ Durable stainless steel construction ensures sanitary marination.
 - ✦ Easy to clean.
 - ✦ All new solid state controls provide for many years of reliable service.
 - ✦ Two piece cover shields drum while rotating, and retracts for easy loading and cleaning.



ACCESSORIES:	<u>Part Number</u>	<u>Description</u>
	202418	10 Minute Lid (For QMM4 or FMA015)
	902338	Replacement "O" Ring (For 202418)
	900080	Max Box
	200912	Max Box Drain Tray

ELECTRICAL REQUIREMENTS: FMA015081EAG 230V, 50 Hertz, 1/4 HP, 2.3 Amps

SHIPPING INFORMATION: Cube Size: 22" W x 40"L x 42"H
Crated Weight: 175 lbs.



ORDER FROM:

Quality Industries
130 Jones Boulevard
LaVergne, TN 37086

Call: (615) 793-2250
Fax: (615) 793-3381

Web: www.qualityind.com