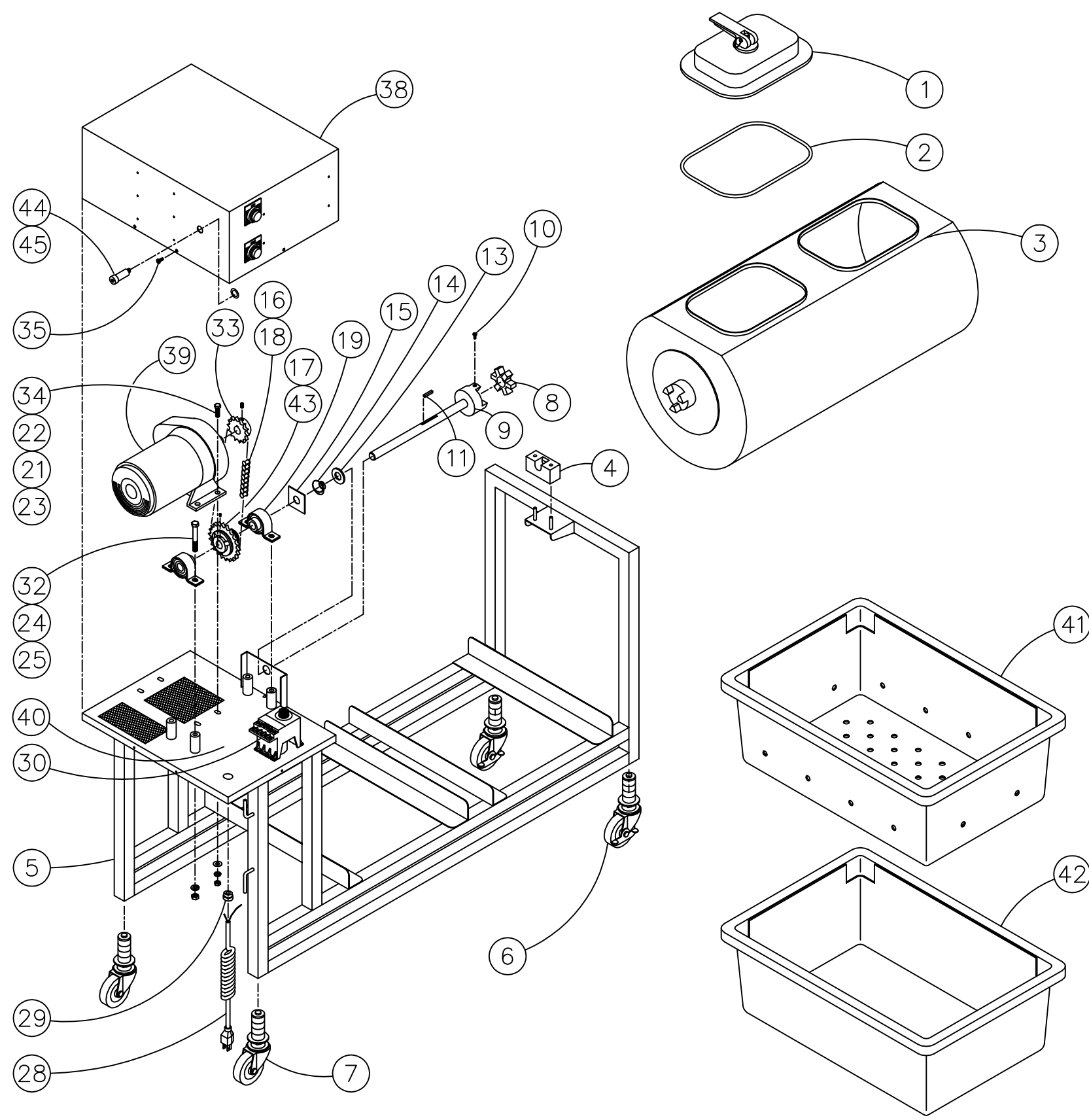


REV	ZONE	DESCRIPTION	BY	DATE	REL	ECN
-		Initial Release	EJD	9/17/99		
A		Update for S/S Hardware Change	JAS	4/9/02		



45	# 902227 - Ring, Retainer - Hein. KD-5	1
44	# 902226 - Circuit Protector, Hein. KD-5	1
43	# 900137 - Sprocket, Torque Limiter Plate	1
42	# 900080 - Container, Polyethelene Max Box	2
41	# 200912 - Tray, Marinator Drain (w/holes)	2
40	# 900082 - Label, Torque	1
39	# 900063 - Motor, 1/4 HP - 120V AC	1
38	# 202381 - Assy, Motor Housing	1
37		
36		
35	# 902431 - Screw, 10-32 x 3/16 S/S Machine	6
34	# 902434 - Bolt, 5/16-18 x 3/4" S/S Hex Head	4
33	# 900058 - Sprocket, 3/4 Plated W/Set Screw	1
32	# 902433 - Bolt, 3/8-16 x 2.5 S/S Hex Head	4
31		
30	# 900054 - Timer, Electric 120V AC	1
29	# 900053 - Bushing, Electric Restrainer	1
28	# 200323 - Assy, Cord Set	1
27		4
26		
25	# 902460 - Nut, 3/8-16 S/S Hex	4
24	# 902459 - Washer, 3/8" S/S Split Lock	4
23	# 902449 - Nut, 5/16-18 S/S Hex	4
22	# 902451 - Washer, 5/16 S/S Flat	8
21	# 902450 - Washer, 5/16 S/S Split Lock	4
20		
19	# 900042 - Bearing, Pillow Block & 3/4	2
18	# 900041 - Chain Roller 1/2 Pitch	1
17	# 900039 - Bearing, Torque Limiter w/Set Screw	1
16	# 900237 - Link, # 40 Connecting	1
15	# 200127 - Spring Plate, Marinator	1
14	# 900033 - Spring, For Marinator	1
13	# 200126 - Seal, Shaft (Marinator)	1
12		
11	# 200125 - Key, Marinator Shaft	1
10	# 900030 - Screw, Mach. RH 8/32 x 1/2	4
9	# 200122 - Assy, Coupling & Shaft	1
8	# 900061 - Bearing, Spider	1
7	# 900032 - Caster, 3 Stem Swivel	2
6	# 900031 - Caster, 3 Brake, Stem, Swivel	2
5	# 202461 - Frame Assy, Mega Marinator	1
4	# 200108 - Bearing, Delrin Marinator	1
3	# 202463 - Tank Sub Assy, Mega Marinator	1
2	# 900036 - O-Ring, New Style - (10 Minute Lid)	2
1	# 202418 - Assy, Door Lid	2

OVERALL DIMENSIONS:  
52 L, 18.5 W, 38 H

FILE: J:\DRAWINGS\FOODSERV\MARINATR\FMD000.dwg

ITEM NO.	MATERIAL DESCRIPTION	QTY REQ'D.
<b>DESCRIPTION</b> FMD000 Mega Marinator		<b>PART NO.</b> FMD000
<b>CLASSIFIED MATERIAL</b> This drawing or material is submitted to you with the confidence that it will be used only for your information on application engineering studies and shall never be used in any manner detrimental to our interest.		<b>CUSTOMER</b> DRAWN BY: E.D. / G.K. DATE: 11/13/98 SCALE: None APPROVED: _____ RELEASED DATE: _____
<b>TOLERANCES UNLESS OTHERWISE SPECIFIED</b> ANGLE = ± _____ ° (x) = ± _____ (.) = ± _____		<b>FILE NO.</b> FMD000.dwg <b>REV.</b> A